



for your baby ☺

Cot Top Changer

Instructions

sign up

www.**OBABY**.co.uk

Create an account for **exclusive** offers, competitions and updates

5 Year Extended Guarantee
5 Year

Simply register within 28 days!



DESIGNED IN THE UK

IMPORTANT
KEEP FOR FUTURE REFERENCE
PLEASE READ THESE INSTRUCTIONS
CAREFULLY BEFORE USING THIS PRODUCT



Safety Warnings

Thank you for choosing Obaby. This changer conforms to BS EN 716-1 & 2: 2008 and BS 8509:2000 + A1:2011 To ensure that your changer is used in accordance with these instructions, please read them fully.

Your child's safety may be affected if you do not follow these instructions.

WARNING: Do not leave the child unattended.

WARNING: The cot top changer must be used on a level and stable surface.

WARNING: Never move the cot top changer with the child on it.

WARNING: Be aware of the risk of open fire and other sources of heat, such as electric bar fires, gas fires, etc. in the vicinity of the cot top changer.

WARNING: Do not use the cot top changer if any part is broken, or missing and use only spare parts approved by the manufacturer.

The changer is not to be used for children over 9kg.

We recommend you use a changing mat with maximum dimensions of 76cm x 45cm, placing the mat evenly inside the cot top changer.

Do not attempt to use with a cot dropside in a lower position or attempt to lower dropside with the cot top changer in place.

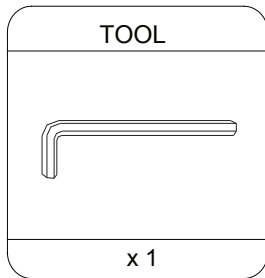
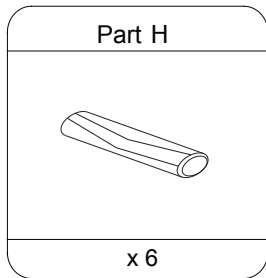
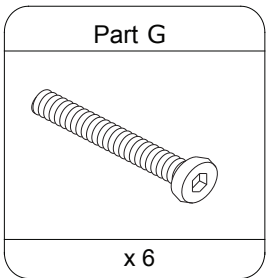
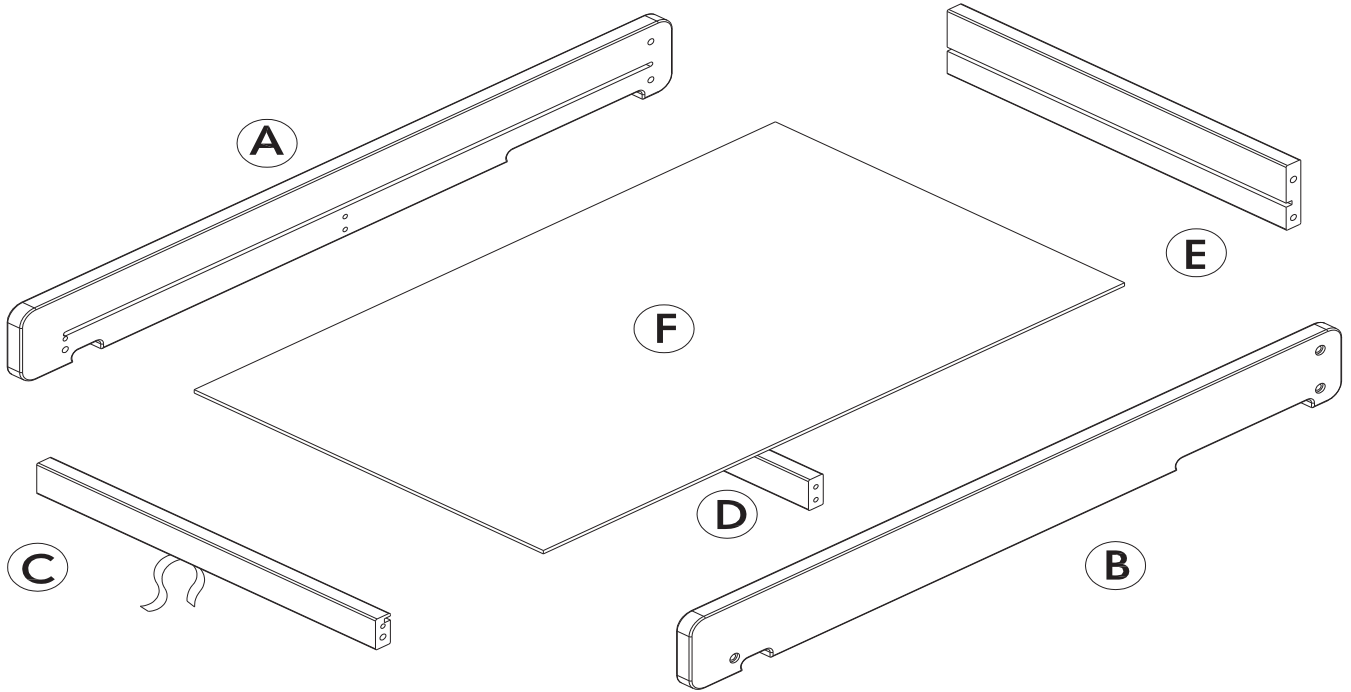
All assembly fittings should be tightened properly and care should be taken to ensure that no screws are loose, as a child could trap parts of the body, or clothing (e.g. ribbons, drawstrings, necklaces) this could lead to strangulation.

Regularly check that all fittings and components of the cot top changer are fully tightened and in working order. Wood is a natural material, the colour will darken with age.

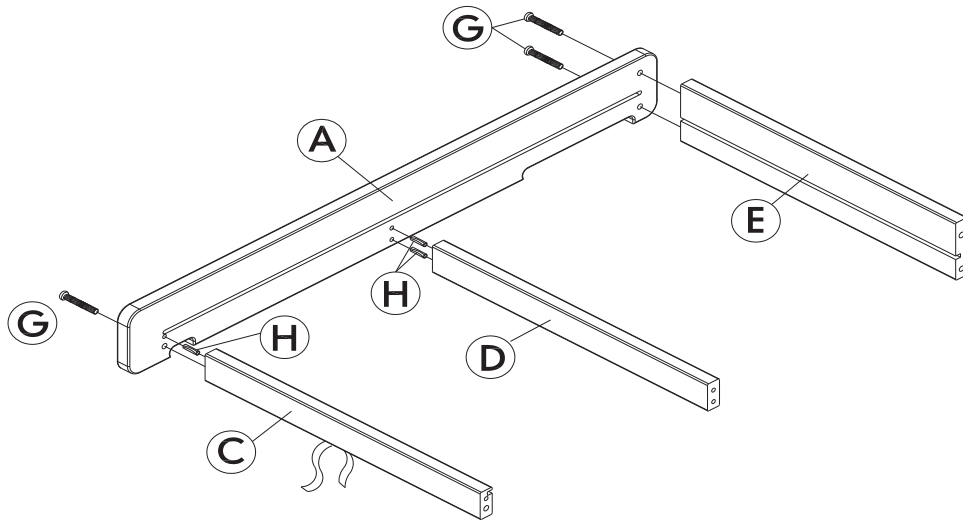
ROUTINE CARE & MAINTENANCE

- For cleaning, use only a mild detergent and warm water.
- DO NOT USE BLEACH.
- DO NOT USE any abrasive substances.
- Take care when handling or moving furniture, careless handling can damage wooden furniture.

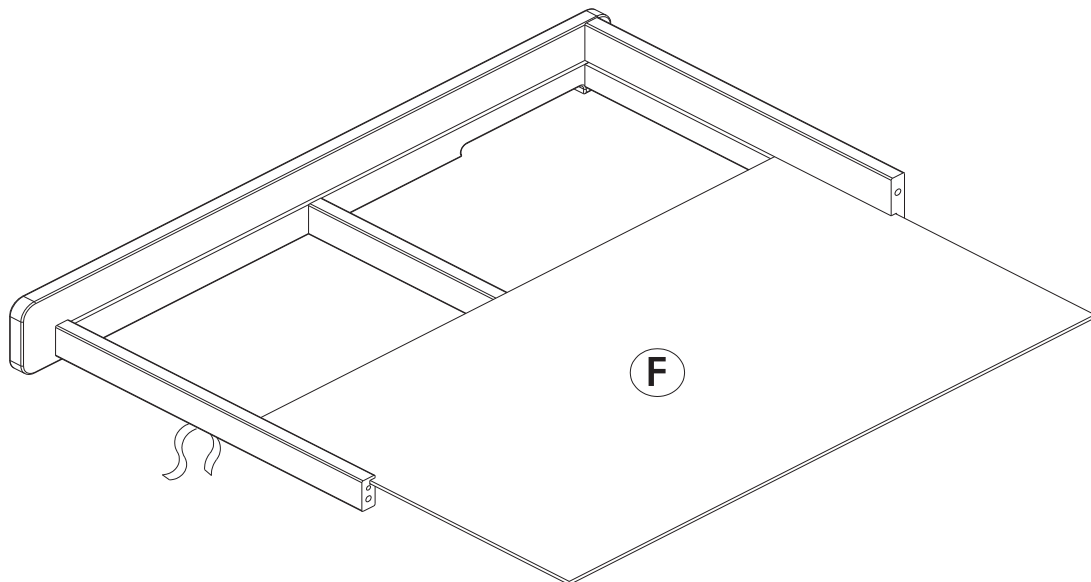
Due to constant updating and improvements, some components may occasionally differ slightly from the images shown in these instructions. We reserve the rights to change the specifications of any products without prior notice. If you need any assistance please contact your Obaby retailer from whom you purchased your product, who will take appropriate action.



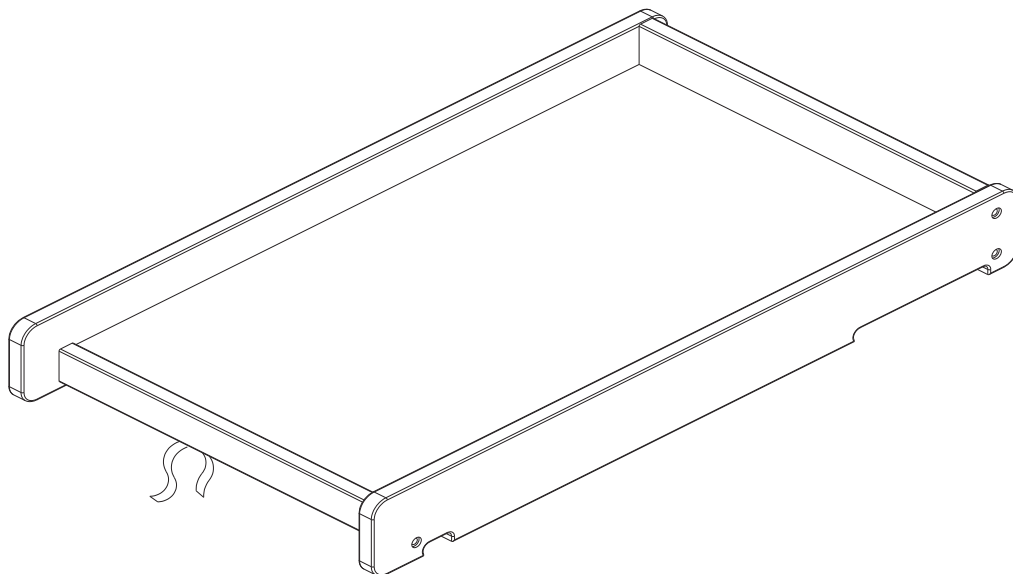
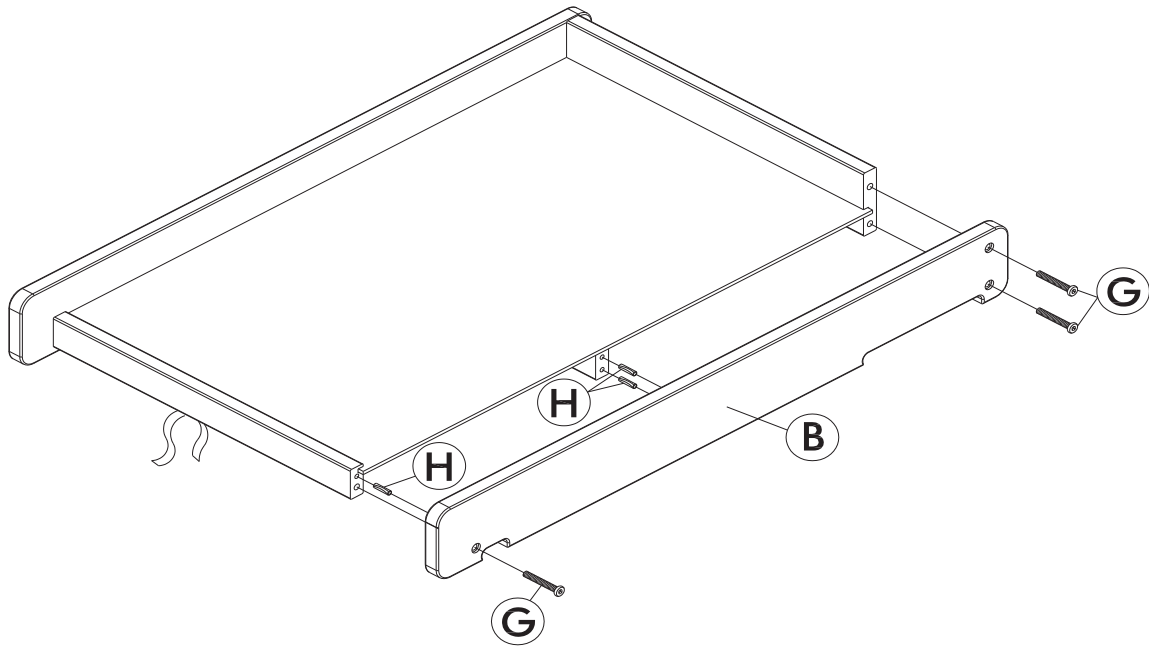
Step 1



Step 2



Step 3



#obabyUK

